



JUM-1464VHXL DRO

Milling Machine

50000854T 3~400V 50Hz

PARTS LIST

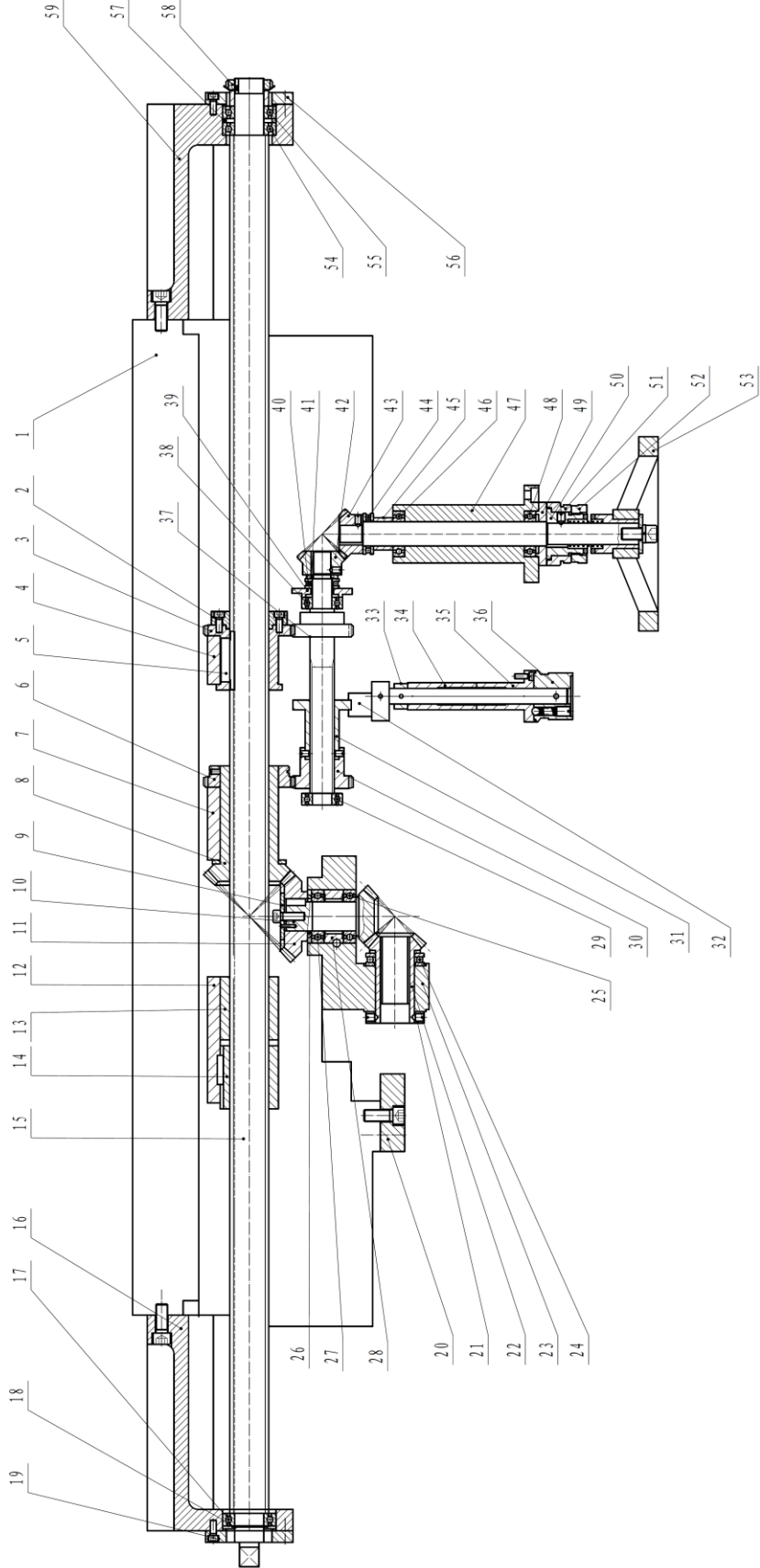
JPW (Tool) AG
Ackerstrasse 45
CH-8610 Uster
Switzerland
www.jettools.com



P- 50000854T

2019-07

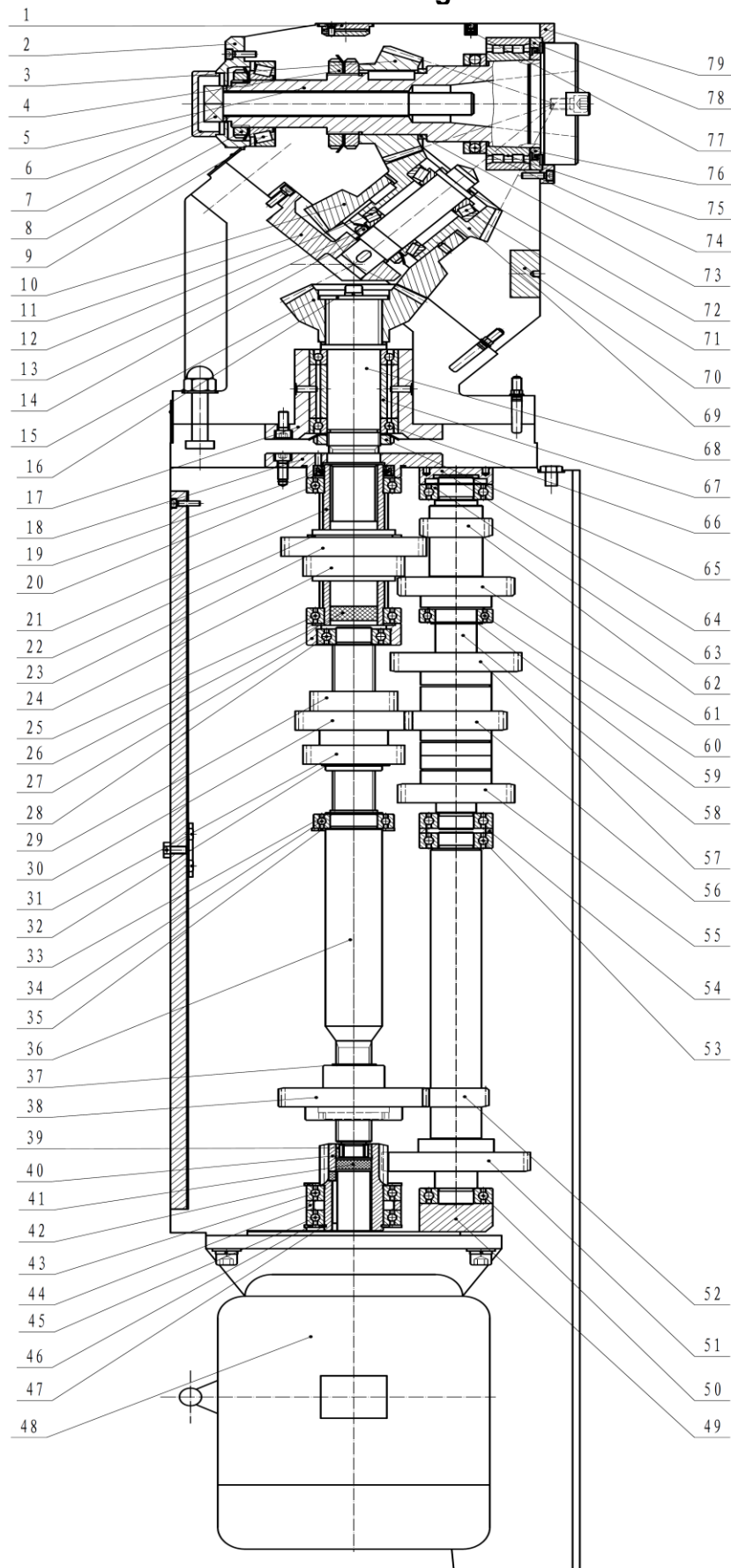
Exploded View for JUM-1464VHXL DRO Milling Machine – Table Assembly A



Part List for JUM-1464VHXL DRO Milling Machine – Table Assembly A

Index No.	Part No.	Description	Size	Qty.
1	JUM1464VHXL-A-001	Table		1
2	JUM1464VHXL-A-002	Flange		1
3	JUM1464VHXL-A-003	Gear		1
4	JUM1464VHXL-A-004	Nut Seat		1
5	JUM1464VHXL-A-005	Key		1
6	JUM1464VHXL-A-006	Gear		1
7	JUM1464VHXL-A-007	Nut Seat		1
8	JUM1464VHXL-A-008	Bevel Gear		1
9	JUM1464VHXL-A-009	Washer		1
10	JUM1464VHXL-A-010	Bevel Gear		1
11	JUM1464VHXL-A-011	Bevel Gear		1
12	JUM1464VHXL-A-012	Nut Seat		1
13	JUM1464VHXL-A-013	Horizontal Leadscrew Nut		1
14	JUM1464VHXL-A-014	Horizontal Leadscrew Nut		1
15	JUM1464VHXL-A-015	Horizontal Leadscrew Nut		1
16	JUM1464VHXL-A-016	Left Supporting Bracket		1
17	JUM1464VHXL-A-017	Deep Groove Ball Bearing	6006	1
18	JUM1464VHXL-A-018	A Type Clip	30	1
19	JUM1464VHXL-A-019	Cover		1
20	JUM1464VHXL-A-020	Clamping Plate		1
21	JUM1464VHXL-A-021	Sleeve		1
22	JUM1464VHXL-A-022	Bevel Gear		1
23	JUM1464VHXL-A-023	Cross Supporting Bracket		1
24	JUM1464VHXL-A-024	Thrust Ball Bearing		1
25	JUM1464VHXL-A-025	Deep Groove Ball Bearing	6006	1
26	JUM1464VHXL-A-026	Washer		1
27	JUM1464VHXL-A-027	Deep Groove Ball Bearing	6006	1
28	JUM1464VHXL-A-028	Sleeve		1
29	JUM1464VHXL-A-029	Deep Groove Ball Bearing	6004	1
30	JUM1464VHXL-A-030	Gear		1
31	JUM1464VHXL-A-031	Sleeve		1
32	JUM1464VHXL-A-032	Shifting Fork		1
33	JUM1464VHXL-A-033	Sleeve		1
34	JUM1464VHXL-A-034	Sleeve		1
35	JUM1464VHXL-A-035	Sleeve		1
36	JUM1464VHXL-A-036	Knub		1
37	JUM1464VHXL-A-037	Gear		1
38	JUM1464VHXL-A-038	Deep Groove Ball Bearing	6004	1
39	JUM1464VHXL-A-039	Cover		1
40	JUM1464VHXL-A-040	Thrust Ball Bearing	51104	1
41	JUM1464VHXL-A-041	Washer		1
42	JUM1464VHXL-A-042	Bevel Gear		1
43	JUM1464VHXL-A-043	Bevel Gear		1
44	JUM1464VHXL-A-044	Thrust Ball Bearing	5105	1
45	JUM1464VHXL-A-045	Bush		1
46	JUM1464VHXL-A-046	Deep Groove Ball Bearing	6005	1
47	JUM1464VHXL-A-047	Sleeve		1
48	JUM1464VHXL-A-048	Deep Groove Ball Bearing	6005	1
49	JUM1464VHXL-A-049	Sleeve		1
50	JUM1464VHXL-A-050	Coupling		1
51	JUM1464VHXL-A-051	Sleeve		1
52	JUM1464VHXL-A-052	Sleeve		1
53	JUM1464VHXL-A-053	Hand Wheel		1
54	JUM1464VHXL-A-054	Deep Groove Ball Bearing	7006AC	1
55	JUM1464VHXL-A-055	Deep Groove Ball Bearing	7006AC	1
56	JUM1464VHXL-A-056	Flange		1
57	JUM1464VHXL-A-057	Washer		1
58	JUM1464VHXL-A-058	Round Nut	M30x1.5	1
59	JUM1464VHXL-A-059	Right Supporting Bracket		1

Exploded View for JUM-1464VHXL DRO Milling Machine – Tool RAM Assembly B



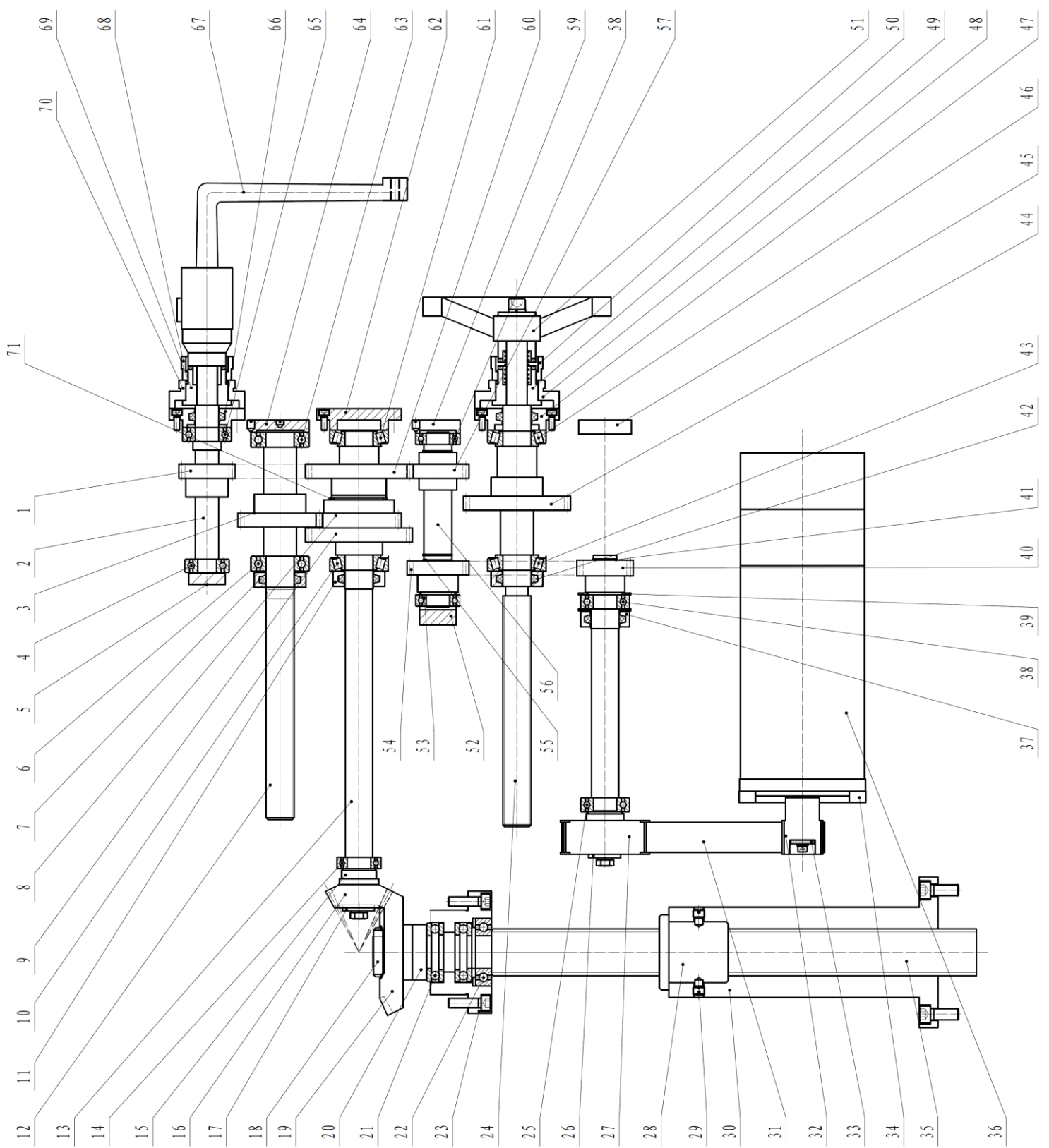
Part List for JUM-1153VXL DRO Milling Machine – Tool RAM Assembly B

Index No.	Part No.	Description	Size	Qty.
1	JUM1464VHXL-B-001	Cover		1
2	JUM1464VHXL-B-002	Flange		1
3	JUM1464VHXL-B-003	Gear		1
4	JUM1464VHXL-B-004	Round Nut	M64x2	2
5	JUM1464VHXL-B-005	Spindle		1
6	JUM1464VHXL-B-006	Draw Bar		1
7	JUM1464VHXL-B-007	Cover		1
8	JUM1464VHXL-B-008	Round Nut	M50x1.5	1
9	JUM1464VHXL-B-009	Taper Roller Bearing	30210/P5	1
10	JUM1464VHXL-B-010	Gear		1
11	JUM1464VHXL-B-011	Flange		1
12	JUM1464VHXL-B-012	Taper Roller Bearing	32007	1
13	JUM1464VHXL-B-013	Round Nut	M35x1.5	1
14	JUM1464VHXL-B-014	Adjusting Washer		1
15	JUM1464VHXL-B-015	Gear		1
16	JUM1464VHXL-B-016	Pad		1
17	JUM1464VHXL-B-017	Bearing House		1
18	JUM1464VHXL-B-018	Flange		1
19	JUM1464VHXL-B-019	Frame Oil Seal	FB5068	1
20	JUM1464VHXL-B-020	Deep Groove Ball Bearing	6010	1
21	JUM1464VHXL-B-021	Spline Sleeve		1
22	JUM1464VHXL-B-022	Clip	70	1
23	JUM1464VHXL-B-023	Gear		1
24	JUM1464VHXL-B-024	Gear		1
25	JUM1464VHXL-B-025	Deep Groove Ball Bearing	6010	1
26	JUM1464VHXL-B-026	Plug		1
27	JUM1464VHXL-B-027	Bearing House		1
28	JUM1464VHXL-B-028	Deep Groove Ball Bearing	6206/2RS	1
29	JUM1464VHXL-B-029	Gear		1
30	JUM1464VHXL-B-030	Gear		1
31	JUM1464VHXL-B-031	Gear		1
32	JUM1464VHXL-B-032	Clip	48	1
33	JUM1464VHXL-B-033	Clip	40	1
34	JUM1464VHXL-B-034	Deep Groove Ball Bearing	6008/2RS	1
35	JUM1464VHXL-B-035	Washer	68	1
36	JUM1464VHXL-B-036	Shaft		1
37	JUM1464VHXL-B-037	Clip	30	1
38	JUM1464VHXL-B-038	Gear		1
39	JUM1464VHXL-B-039	Needle Roller Shaft	NA4903	1
40	JUM1464VHXL-B-040	Gear		1
41	JUM1464VHXL-B-041	Plug		1
42	JUM1464VHXL-B-042	Washer	80	1
43	JUM1464VHXL-B-043	Deep Groove Ball Bearing	6010	1
44	JUM1464VHXL-B-044	Pad		1
45	JUM1464VHXL-B-045	Deep Groove Ball Bearing	6010	1
46	JUM1464VHXL-B-046	Washer	80	1
47	JUM1464VHXL-B-047	Clip	50	1
48	JUM1464VHXL-B-048	Three-Phase Asynchronous Motor	Y112M-4/5.5HP	1
49	JUM1464VHXL-B-049	Plug		1
50	JUM1464VHXL-B-050	Deep Groove Ball Bearing	6206/2RS	1
51	JUM1464VHXL-B-051	Gear		1
52	JUM1464VHXL-B-052	Gear Shaft		1
53	JUM1464VHXL-B-053	Deep Groove Ball Bearing	6206/2RS	2
54	JUM1464VHXL-B-054	Washer		1
55	JUM1464VHXL-B-055	Gear		1
56	JUM1464VHXL-B-056	Gear		1
57	JUM1464VHXL-B-057	Gear		1
58	JUM1464VHXL-B-058	Shaft		1

Part List for JUM-1153VXL DRO Milling Machine – Tool RAM Assembly B

Index No.	Part No.	Description	Size	Qty.
59	JUM1464VHXL-B-059	clip	35	1
60	JUM1464VHXL-B-060	Deep groove ball bearing	6007/2RS	1
61	JUM1464VHXL-B-061	gear		1
62	JUM1464VHXL-B-062	Gear shaft		1
63	JUM1464VHXL-B-063	Deep groove ball bearing	6206/2RS	1
64	JUM1464VHXL-B-064	plug		1
65	JUM1464VHXL-B-065	Round nut	M45x1.5	1
66	JUM1464VHXL-B-066	Angular contact ball bearing	7009AC	2
67	JUM1464VHXL-B-067	sleeve		1
68	JUM1464VHXL-B-068	Spline shaft		1
69	JUM1464VHXL-B-069	gear		1
70	JUM1464VHXL-B-070	plug		1
71	JUM1464VHXL-B-071	Taper roller bearing	30207	2
72	JUM1464VHXL-B-072	pad		1
73	JUM1464VHXL-B-073	pad		1
74	JUM1464VHXL-B-074	Thrust ball bearing	51116/P5	1
75	JUM1464VHXL-B-075	Double row cylindrical roller bearings	NN3018K/P5	1
76	JUM1464VHXL-B-076	pad		1
77	JUM1464VHXL-B-077	Pressure piston oil cup	10	1
78	JUM1464VHXL-B-078	pad		1
79	JUM1464VHXL-B-079	flange		1

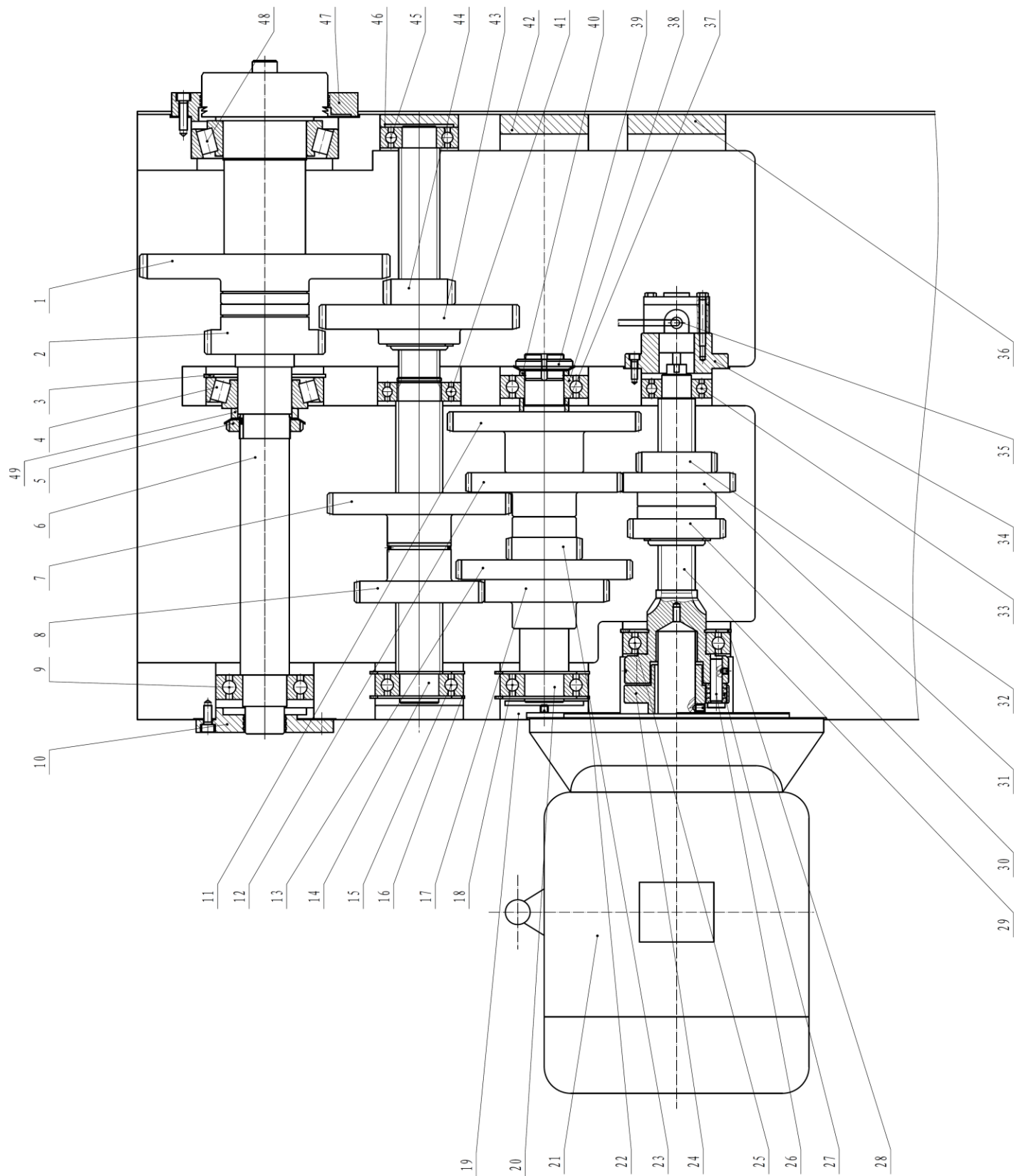
Exploded View for JUM-1464VHXL DRO Milling Machine – Elevator table Assembly C



Part List for JUM-1464VHXL DRO Milling Machine – Elevator table Assembly C

Index No.	Part No.	Description	Size	Qty.
1	JUM1464VHXL-C-001	Gear		1
2	JUM1464VHXL-C-002	Shaft		1
3	JUM1464VHXL-C-003	Gear		1
4	JUM1464VHXL-C-004	Deep Groove Ball Bearing	6204	1
5	JUM1464VHXL-C-005	Plug		1
6	JUM1464VHXL-C-006	Deep Groove Ball Bearing	6206	1
7	JUM1464VHXL-C-007	Sleeve		1
8	JUM1464VHXL-C-008	Gear		1
9	JUM1464VHXL-C-009	Gear		1
10	JUM1464VHXL-C-010	Taper Roller Bearing	30206	1
11	JUM1464VHXL-C-011	Sleeve		1
12	JUM1464VHXL-C-012	Spline Shaft		1
13	JUM1464VHXL-C-013	Shaft		1
14	JUM1464VHXL-C-014	Deep Groove Ball Bearing	6005	1
15	JUM1464VHXL-C-015	Sleeve		1
16	JUM1464VHXL-C-016	Bevel Gear		1
17	JUM1464VHXL-C-017	Washer		1
18	JUM1464VHXL-C-018	Round Nut	M33x1.5	1
19	JUM1464VHXL-C-019	Bevel Gear		1
20	JUM1464VHXL-C-020	Washer		1
21	JUM1464VHXL-C-021	Thrust Ball Bearing	51207	2
22	JUM1464VHXL-C-022	Deep Groove Ball Bearing	6207	1
23	JUM1464VHXL-C-023	Bearing House		1
24	JUM1464VHXL-C-024	Cross Leadscrew		1
25	JUM1464VHXL-C-025	Deep Groove Ball Bearing	6205	1
26	JUM1464VHXL-C-026	Washer		1
27	JUM1464VHXL-C-027	Large Synchronous Pulley		1
28	JUM1464VHXL-C-028	Lifting Nut		1
29	JUM1464VHXL-C-029	Slotted Cylindrical End Locking Screw	M12x16	2
30	JUM1464VHXL-C-030	Lifting Nut House		1
31	JUM1464VHXL-C-031	Pulley	HTD-645-5M-30	1
32	JUM1464VHXL-C-032	Small Synchronous Pulley		1
33	JUM1464VHXL-C-033	Washer		1
34	JUM1464VHXL-C-034	Motor Mounting Plate		1
35	JUM1464VHXL-C-035	Lifting Leadscrew		1
36	JUM1464VHXL-C-036	Servo Motor	QS130A100B15-4EL	1
37	JUM1464VHXL-C-037	Sleeve		1
38	JUM1464VHXL-C-038	Deep Groove Ball Bearing	6205	1
39	JUM1464VHXL-C-039	Washer	52	2
40	JUM1464VHXL-C-040	Gear		1
41	JUM1464VHXL-C-041	Clip	25	1
42	JUM1464VHXL-C-042	Sleeve		1
43	JUM1464VHXL-C-043	Taper Roller Bearing	30206	1
44	JUM1464VHXL-C-044	Gear		1
45	JUM1464VHXL-C-045	Plug		1
46	JUM1464VHXL-C-046	Taper Roller Bearing	30206	1
47	JUM1464VHXL-C-047	Flange		1
48	JUM1464VHXL-C-048	Ring Dial		1
49	JUM1464VHXL-C-049	Coupling		1
50	JUM1464VHXL-C-050	Sleeve		1
51	JUM1464VHXL-C-051	Cross Hand Wheel		1
52	JUM1464VHXL-C-052	Plug		1
53	JUM1464VHXL-C-053	Deep Groove Ball Bearing	6005	1
54	JUM1464VHXL-C-054	Gear		1
55	JUM1464VHXL-C-055	Washer	65Mn	3
56	JUM1464VHXL-C-056	Spline Shaft		1
57	JUM1464VHXL-C-057	Gear		1
58	JUM1464VHXL-C-058	Deep Groove Ball Bearing	6005	1

Exploded View for JUM-1464VHXL DRO Milling Machine – Milling Head Assembly D



Part List for JUM-1153VXL DRO Milling Machine – Milling Head Assembly D

Index No.	Part No.	Description	Size	Qty.
1	JUM1464VHXL-D-001	gear		1
2	JUM1464VHXL-D-002	gear		1
3	JUM1464VHXL-D-003	washer	120	1
4	JUM1464VHXL-D-004	taper roller bearing	30311/P5	1
5	JUM1464VHXL-D-005	round nut	M52x1.5	1
6	JUM1464VHXL-D-006	spindle		1
7	JUM1464VHXL-D-007	gear		1
8	JUM1464VHXL-D-008	gear		1
9	JUM1464VHXL-D-009	deep groove ball bearing	6309	1
10	JUM1464VHXL-D-010	flange		1
11	JUM1464VHXL-D-011	gear		1
12	JUM1464VHXL-D-012	gear		1
13	JUM1464VHXL-D-013	gear		1
14	JUM1464VHXL-D-014	shaft		1
15	JUM1464VHXL-D-015	deep groove ball bearing		
16	JUM1464VHXL-D-016	washer	96	2
17	JUM1464VHXL-D-017	gear		1
18	JUM1464VHXL-D-018	deep groove ball bearing		
19	JUM1464VHXL-D-019	plug		1
20	JUM1464VHXL-D-020	shaft		1
21	JUM1464VHXL-D-021	three-phase asynchronous motor	Y132S-4/B5	1
22	JUM1464VHXL-D-022	washer	96	2
23	JUM1464VHXL-D-023	gear		1
24	JUM1464VHXL-D-024	flange		1
25	JUM1464VHXL-D-025	deep groove ball bearing	6212-2RS	1
26	JUM1464VHXL-D-026	Small shaft		1
27	JUM1464VHXL-D-027	washer		24
28	JUM1464VHXL-D-028	washer	110	1
29	JUM1464VHXL-D-029	shaft		1
30	JUM1464VHXL-D-030	gear		1
31	JUM1464VHXL-D-031	gear		1
32	JUM1464VHXL-D-032	gear		1
33	JUM1464VHXL-D-033	deep groove ball bearing	6306	1
34	JUM1464VHXL-D-034	flange		1
35	JUM1464VHXL-D-035	Oil pump	KBBY-0.84	1
36	JUM1464VHXL-D-036	plug		1
37	JUM1464VHXL-D-037	washer		1
38	JUM1464VHXL-D-038	deep groove ball bearing	6308	1
39	JUM1464VHXL-D-039	round nut	M40x1.5	1
40	JUM1464VHXL-D-040	washer		1
41	JUM1464VHXL-D-041	deep groove ball bearing	6209	1
42	JUM1464VHXL-D-042	plug		1
43	JUM1464VHXL-D-043	gear		1
44	JUM1464VHXL-D-044	gear		1
45	JUM1464VHXL-D-045	deep groove ball bearing	6307	1
46	JUM1464VHXL-D-046	plug		1
47	JUM1464VHXL-D-047	flange		1
48	JUM1464VHXL-D-048	taper roller bearing	32217/P5	1
49	JUM1464VHXL-D-049	washer		1

Wiring Diagram for JUM-1464VHXL DRO

5000854T 3~400V 50Hz

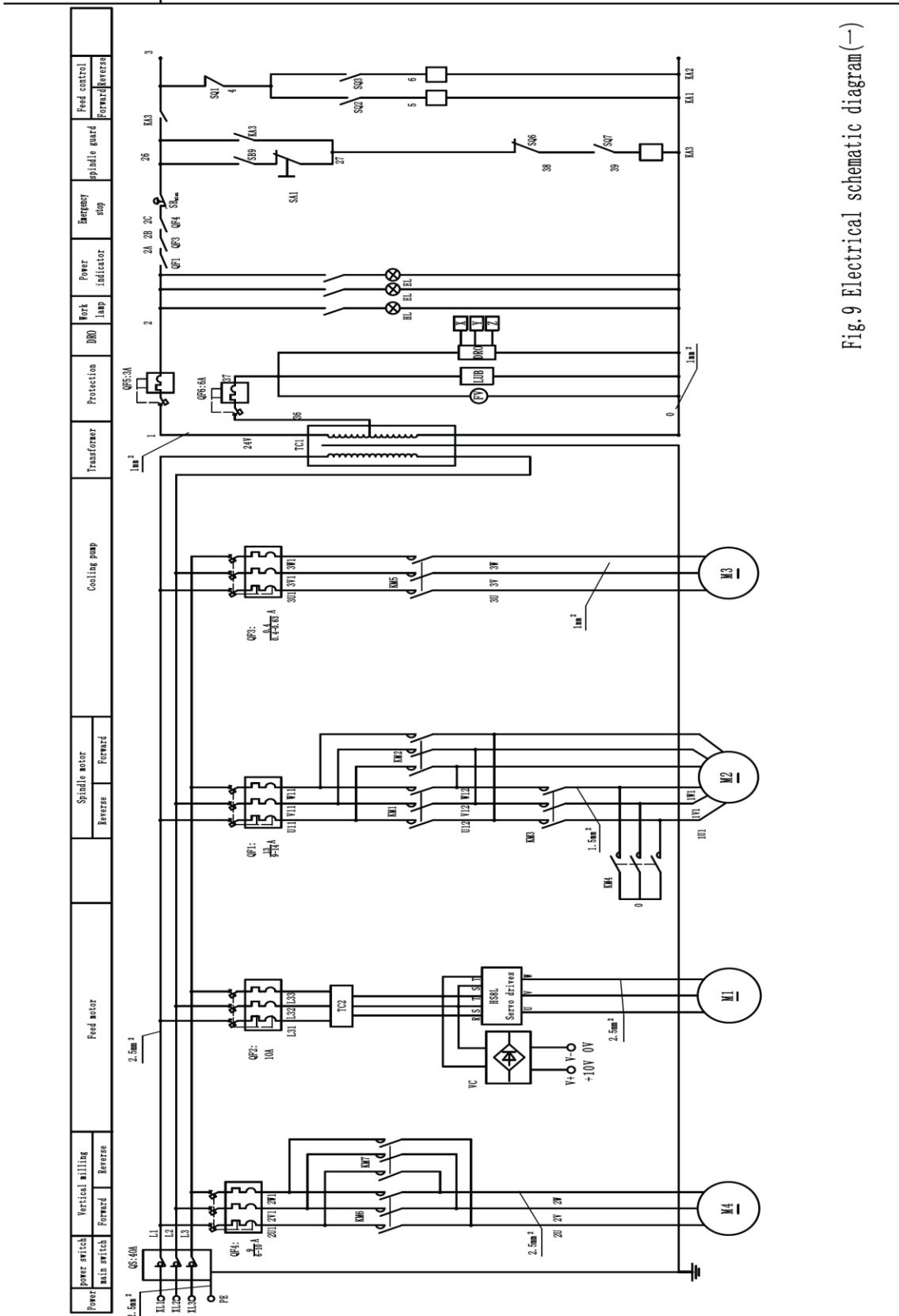


Fig. 9 Electrical schematic diagram (—)

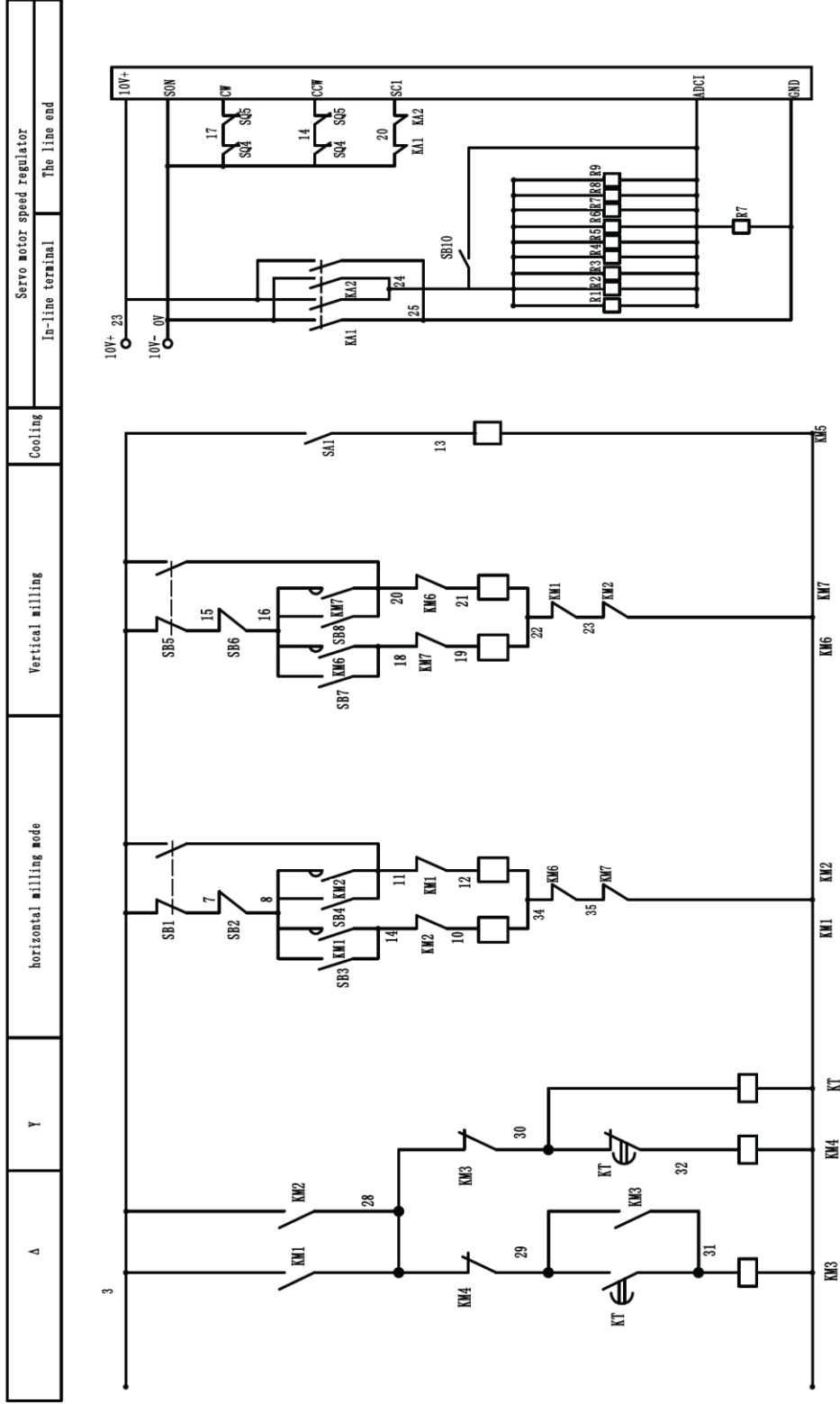


Fig.9 Electrical schematic diagram (二)

Name	Model	Specification	Code No.	Qty	Remark
servo driver	EP100			1	
servo motor	130ST-M10015		M1	1	
Broadband asynchronous motor	SMF132M-4		M2	1	
Broadband asynchronous motor			M3	1	
Broadband asynchronous motor	SMF132M-4		M4	1	
Breaker	JFD11-40	3P 40A	QS	1	
Breaker	OMSC32N3D10	3P D 10A	QF2	1	
Miniature Circuit Breaker	OMSC32N1D6	1P D 6A	QF6	1	
Miniature Circuit Breaker	OMSC32N1D3	1P D 3A	QF5	1	
Motor thermal magnetic circuit breaker	GV2-ME15C	9-14A	QF1	1	
Motor thermal magnetic circuit breaker	GV2-ME14C	6-10A	QF4	1	
Motor thermal magnetic circuit breaker	GV2-ME02C	0.16-0.25A	QF3	1	
	LC1D12	AC 24V 50HZ	KM1	5	
			KM2		
			KM3		
			KM4		
			KM5		
AC contactor	LC1D09	AC 24V 50HZ	KM6	2	
			KM7		
Time relay	LADT0	AC 24V 50HZ	KT	1	
Auxiliary contact	LADN11C			4	
Control transformer	JBK5-200VA	I:400V 0:220V(100VA), 24V(100VA)	TC1	1	
Servo transformer	LSG-2KVA	I:400V 0:220V	TC2	1	
Switch		AC220V/DC24V 2.1A	VC	1	

Name	Model	Specification	Code No.	Qty	Remark
Intermediate relay	RXM4LB2B7	AC24V	KA1, 2, 3	3	
DRO		220V		3	
Iron net of aerofoil fan				2	
Cover of aerofoil fan				1	
Aerofoil fan		220V	FV	1	
Limit switch	LXK20-20/Z		SQ1	1	
Limit switch	JW2-11Z/3F		SQ3 SQ4	2	
Potentiometer		KB1003		1	
Work lamp		AC24V	EL	1	
Indicator light	XB2-BVB1LC		EL	1	
Emergency stop button	ZB2-BS54C		SB	1	
Start button	ZB2-BA3C		SB3, 4 , 7, 8	4	
Stop button	ZB2-3A4C		SB2 SB6	2	
Double knob	ZB2-BD2C		SA0	1	
Fast move button	ZB2-BA2C		SB10	1	
Jog button	ZB2-BA3C		SB1 SB5	1	
Switch	LXW5-1162		QS2 QS3	1	
Power button	ZB2-BA3C		SB9	1	
Terminal blocks	TB101	60A	XT1	9	
Terminal blocks	TB2. 5B1	20A	XT2	36	
Earthing terminal blocks	TB10-PE1	60A		3	
Earthing terminal blocks	TB2. 5B-PE1	20A		3	
Ground bronze			PE	1	
Cable				3m	
Standard caliper				1. 5m	
Cold pressed terminal				100	
Circular charactron	ZJY			3m	

Packing List --Main machine, Accessories and tools

No.	Description	Size	Qty.	Remarks
1	Milling machine		1	
2	7: 24 middle cover	7: 24 ISO50/MS4	1	
3	Taper shank sets milling cutter arbor	7:24 ISO50-Φ32	1	
4	Draw bar	M24(vertical, horizontal)	1	
5	Washer	24	1	
6	Allen Wrench	5、10、14	1	
7	Double-ended wrench	13*17	1	
8	Double-ended wrench	22*24	1	
9	Double-ended wrench	36*41	1	
10	milling cutter arbor	Φ27	1	
11	milling cutter arbor	Φ32	1	
12	Nut	M24	2	
13	ISO50 sets milling chuck	7:24 ISO50 4、5、6、8、10、12、14、16	1	
14	Certification		1	
15	Packing list		1	
16	EP1C series servo drive manual		1	
17	Operation manual		1	